

Item-nr.	Description	A
2470200	safety feed fr adjust. 65/105x136 2fo	2470205
2470320	safety feed fr adjust. 70/105x214 3fo	2470325
2470340	safety feed fr adjust. 75/105x225 3fo	2470345
2470400	safety feed fr adjust. 65/105x262 4fo	2470405
2470420	safety feed fr adjust. 70/105x283 4fo	2470425
2470440	safety feed fr adjust. 75/105x300 4fo	2470445
2470500	safety feed fr adjust. 65/105x325 5fo	2470505
2470520	safety feed fr adjust. 70/105x355 5fo	2470525
2470620	safety feed fr adjust. 70/105x435 6fo	2470625
2470720	safety feed fr adjust. 70/105x495 7fo	2470725

use 2472080 for middle attachment

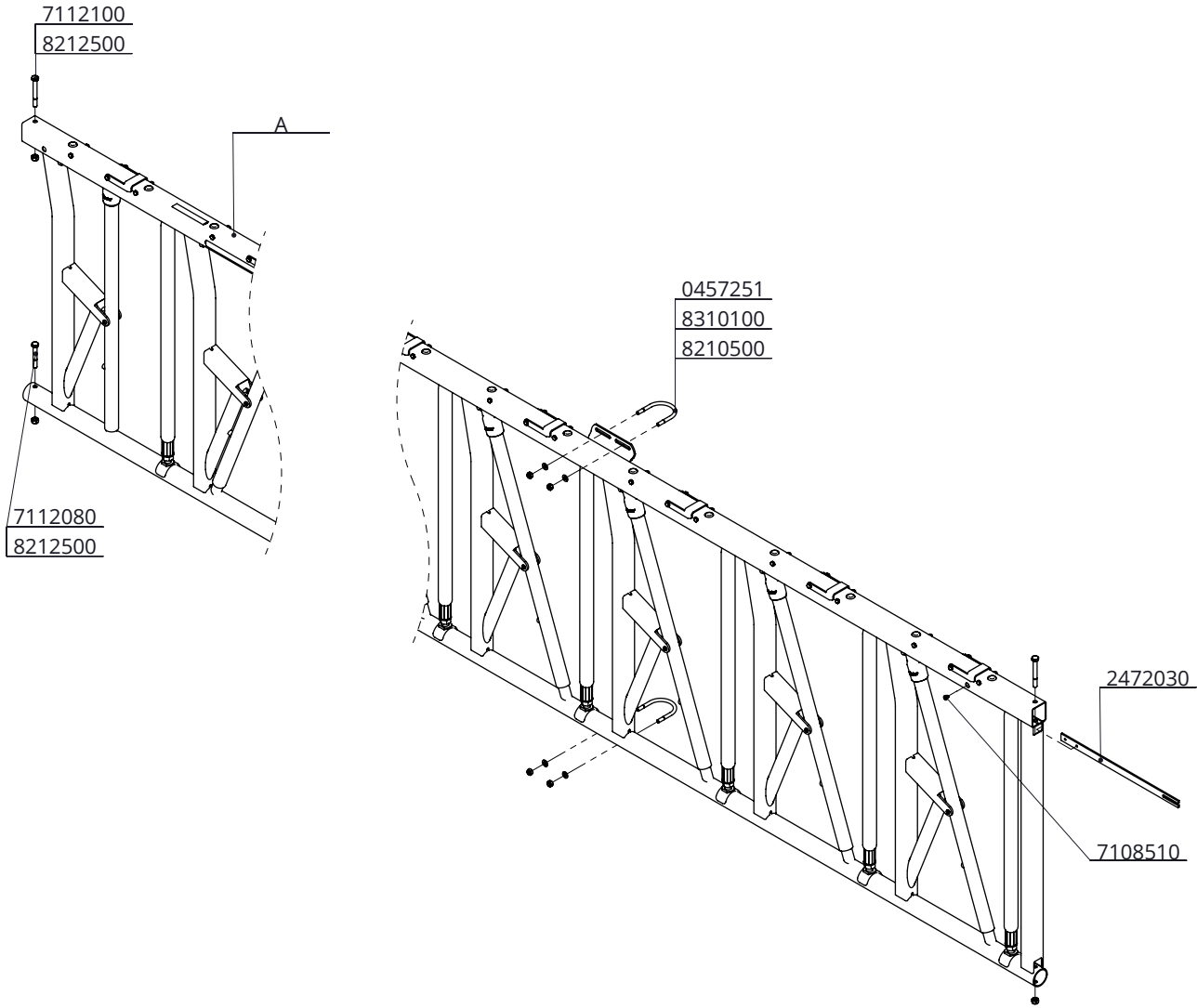
Item-nr.	Description	Number
2472030	coupling rail safety feed front 0-9 cm	1
7108510	round head screw Torx M8x10 galv.	1
7112080	hexagon-head bolt M12x80 galv.	2
7112100	hexagon-head bolt M12x100 galv.	2
8212500	self locking nylon nut M12 galv.	4
A	safety feed front	1

safety feed front



Number:	2470xxx-O
Unit:	mm
Date:	6-6-2019

Tekening blijft ons eigendom en mag niet gekopieerd, aan derden getoond of op andere wijze worden gebruikt. Aan de gegevens op deze tekening kunnen geen rechten worden ontleend.



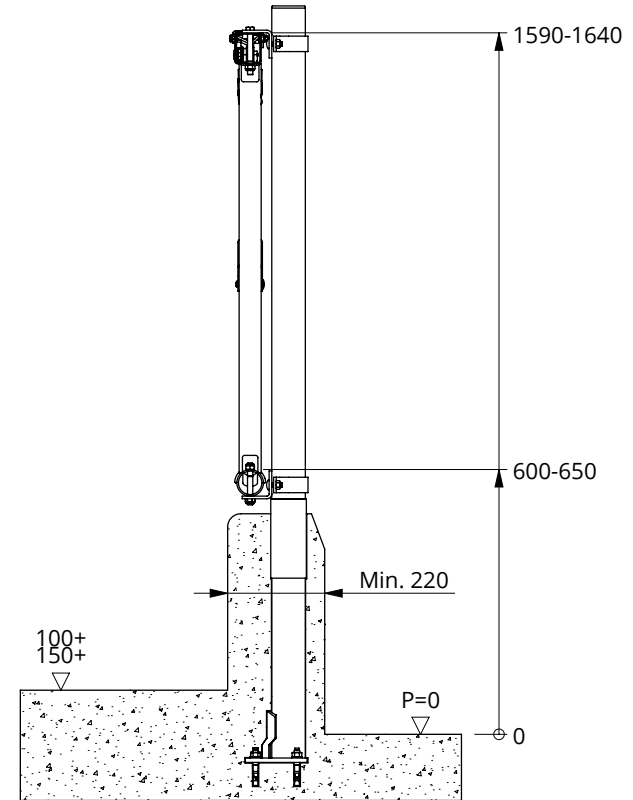
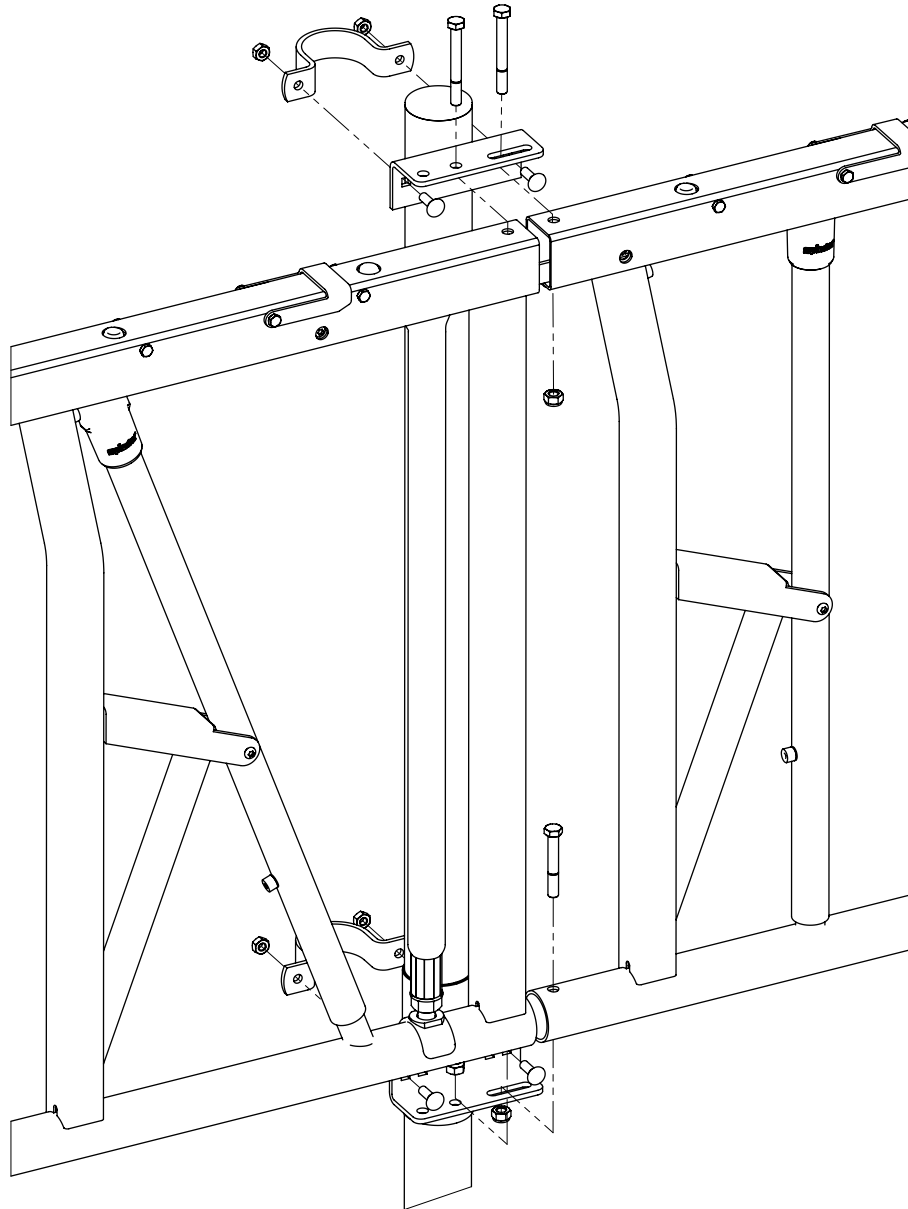
Item-nr.	Description	A
2470760	safety feed fr adjust. 60/105/439 7fo	2470765
2470860	safety feed fr adjust. 60/105/500 8fo	2470865

Item-nr.	Description	Number
0457251	threaded strap M10/76x105 mm galv.	2
2472030	coupling rail safety feed front 0-9 cm	1
7108510	round head screw Torx M8x10 galv.	1
7112080	hexagon-head bolt M12x80 galv.	2
7112100	hexagon-head bolt M12x100 galv.	2
8210500	self locking nylon nut M10 galv.	4
8212500	self locking nylon nut M12 galv.	4
8310100	washer M10 (10x21x2)	4
A	safety feed front adj.	1

safety feed fr adjust. center fixing



Number:	2470x60-O
Unit:	mm
Date:	3-6-2019



assembly safety feed front for cows



Number:	2470-A
Unit:	mm
Date:	18-4-2016

Tekening blijft ons eigendom en mag niet gekopieerd, aan derden getoond of op andere wijze worden gebruikt. Aan de gegevens op deze tekening kunnen geen rechten worden ontleend.

Push the connecting strip inside the operation tube before mounting the feed front to the posts. The two threaded holes in the connecting strip should be above the last feed opening (fig. 1).

1. Put the operation handle in the catch position (fig.3) at this moment holes of the operation tube and the C-profile are at the same line.
2. Loose the bolt above the First feed opening (M8x35). Do not turn the bolt to far, it is hard to get it back in, just make enough space, to push the connection strip in.
3. Move the connection strip as far as possible to the right, the 'fork' of the connection strip will get behind the (at point 2) loosed bolt.
4. Push back the rail to the left, so far the threaded hole of the connecting strip appears in line with the hole in the feed front (fig 2). At this place the included M8x10 torx bolt should be
5. Tighten the (at point 2 loosed) bolt.

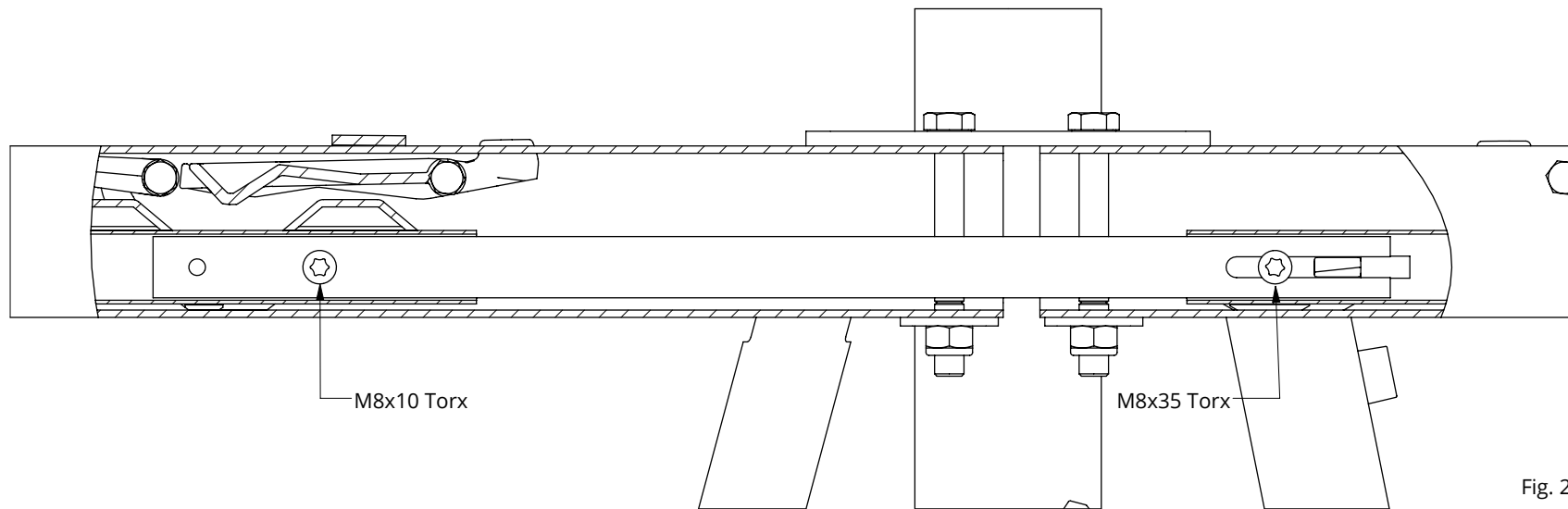


Fig. 2

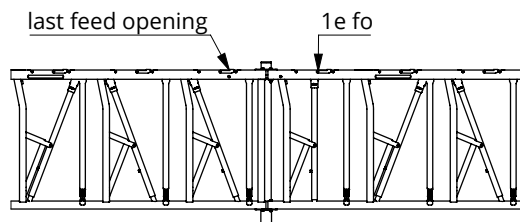


Fig. 1

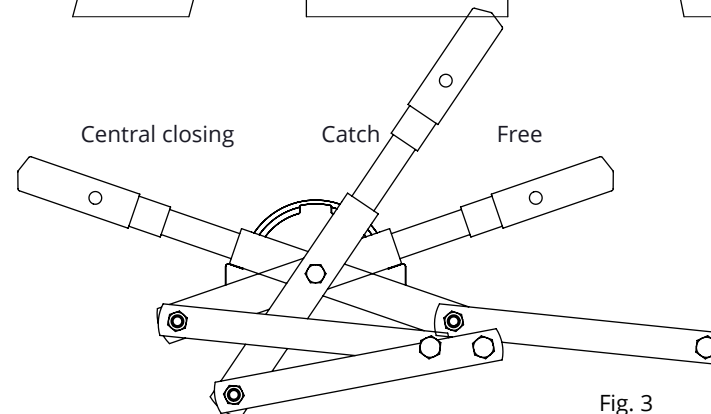


Fig. 3

assembly safety feed front for cows

spinder

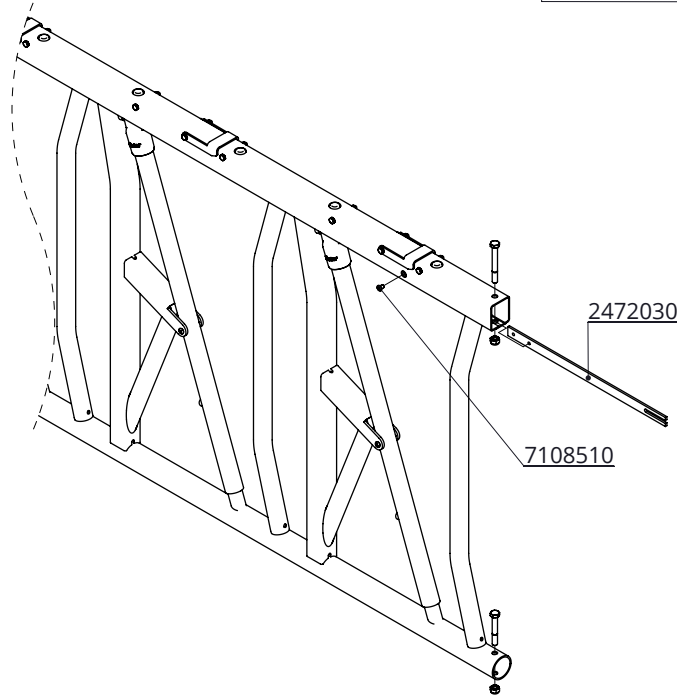
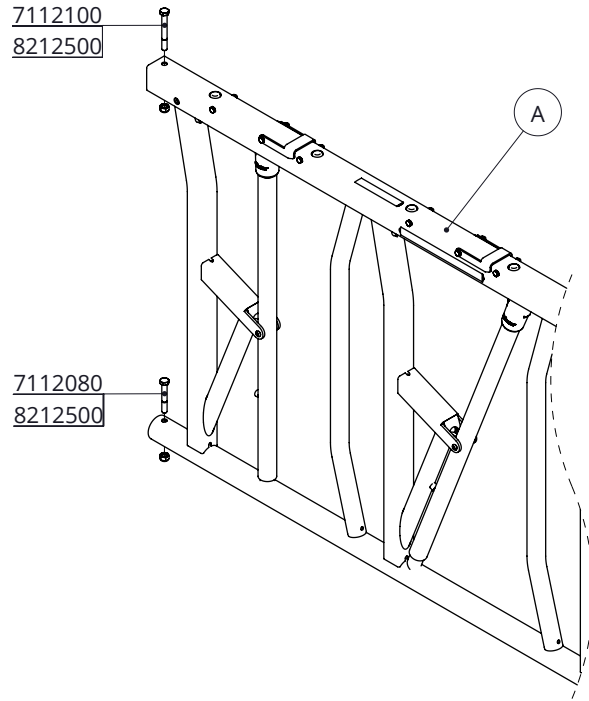
DAIRY HOUSING CONCEPTS

Number: 2470-A

Unit: mm

Date: 18-4-2016

Tekening blijft ons eigendom en mag niet gekopieerd, aan derden getoond of op andere wijze worden gebruikt. Aan de gegevens op deze tekening kunnen geen rechten worden ontleend.



Item-nr.	Description	A
2472200	safety feed front 65/105x136 2fo	2472205
2472240	safety feed front 75/105x150 2fo	2472245
2472300	safety feed front 65/105x199 3fo	2472305
2472320	safety feed front 70/105x214 3fo	2472325
2472340	safety feed front 75/105x225 3fo	2472345
2472400	safety feed front 65/105x262 4fo	2472405
2472420	safety feed front 70/105x283 4fo	2472425
2472440	safety feed front 75/105x300 4fo	2472445
2472460	safety feedfr. 57/105x244 (8'-4fo)	2472465
2472500	safety feed front 65/105x325 5fo	2472505
2472520	safety feed front 70/105x355 5fo	2472525
2472560	safety feedfr. 57/105x305 (10'-5fo)	2472565
2472620	safety feed front 70/105x435 6fo	2472625
2472660	safety feedfr. 57/105x366 (12'-6fo)	2472665
2472720	safety feed front 70/105x485 7fo	2472725

use 2472080 for middle attachment

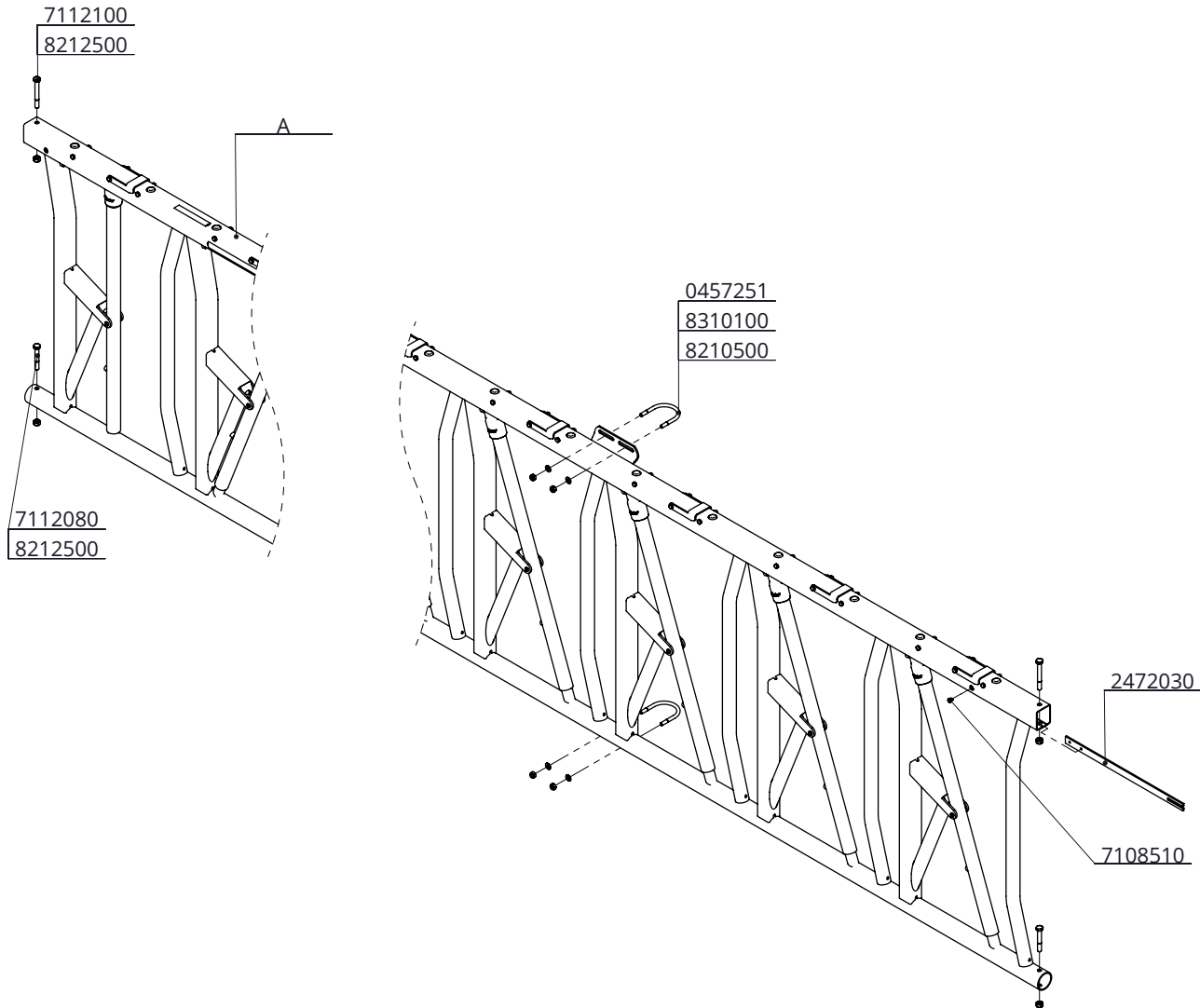
Item-nr.	Description	Number
2472030	coupling rail safety feed front 0-9 cm	1
7108510	round head screw Torx M8x10 galv.	1
7112080	hexagon-head bolt M12x80 galv.	2
7112100	hexagon-head bolt M12x100 galv.	2
8212500	self locking nylon nut M12 galv.	4
A	safety feed front	1

safety feed front



Number:	2472xxx-O
Unit:	mm
Date:	6-6-2019

Tekening blijft ons eigendom en mag niet gekopieerd, aan derden getoond of op andere wijze worden gebruikt. Aan de gegevens op deze tekening kunnen geen rechten worden ontleend.



Item-nr.	Description	A
2472760	safety feed front 60/105/439 7fo	2472765
2472860	safety feed front 60/105/500 8fo	2472865

Item-nr.	Description	Number
0457251	threaded strap M10/76x105 mm galv.	2
2472030	coupling rail safety feed front 0-9 cm	1
7108510	round head screw Torx M8x10 galv.	1
7112080	hexagon-head bolt M12x80 galv.	2
7112100	hexagon-head bolt M12x100 galv.	2
8210500	self locking nylon nut M10 galv.	4
8212500	self locking nylon nut M12 galv.	4
8310100	washer M10 (10x21x2)	4
A	safety feed front	1

safety feed front center fixing

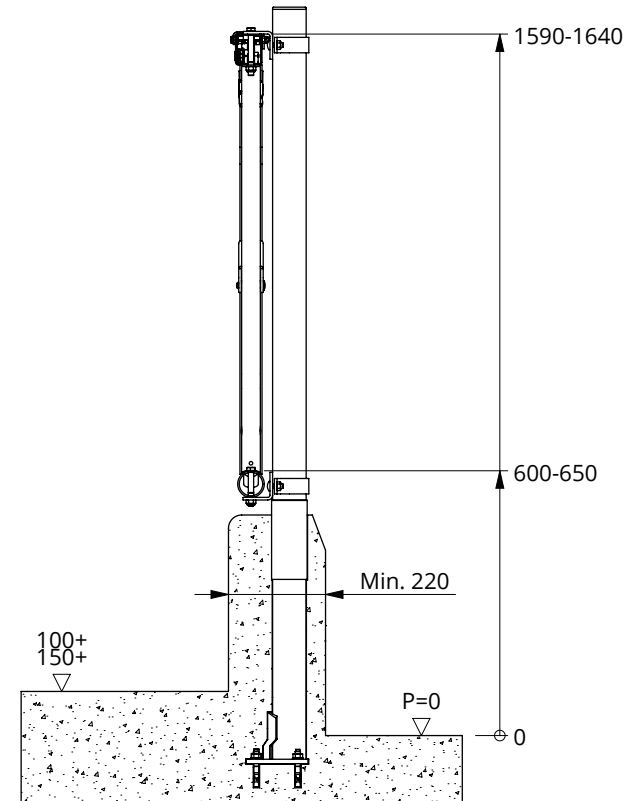
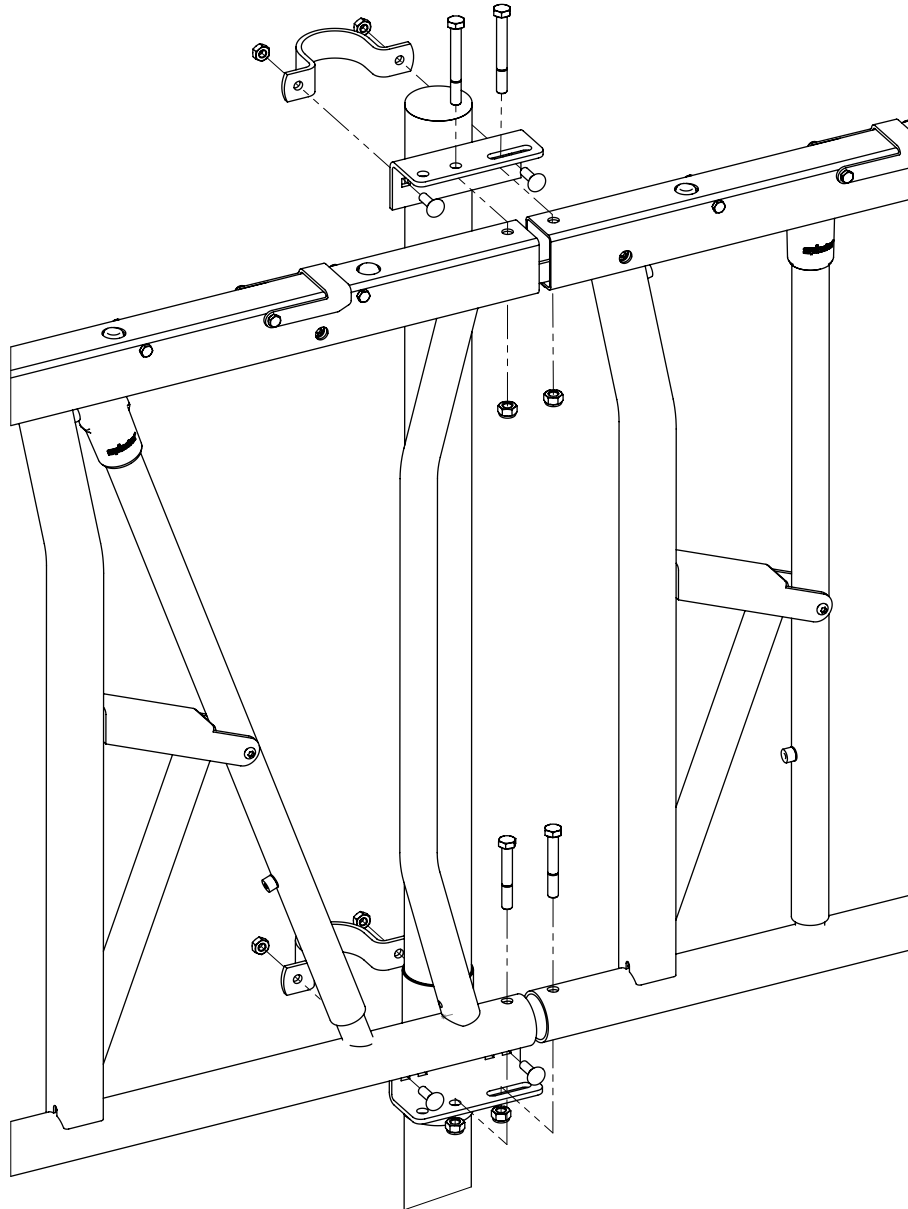
spinder

DAIRY HOUSING CONCEPTS

Number: 2472x60-O

Unit: mm

Date: 3-6-2019



assembly safety feed front for cows

spinder
DAIRY HOUSING CONCEPTS

Number:	2472-A
Unit:	mm
Date:	18-4-2016

Tekening blijft ons eigendom en mag niet gekopieerd, aan derden getoond of op andere wijze worden gebruikt. Aan de gegevens op deze tekening kunnen geen rechten worden ontleend.

Push the connecting strip inside the operation tube before mounting the feed front to the posts. The two threaded holes in the connecting strip should be above the last feed opening (fig. 1).

1. Put the operation handle in the catch position (fig.3) at this moment holes of the operation tube and the C-profile are at the same line.
2. Loose the bolt above the First feed opening (M8x35). Do not turn the bolt to far, it is hard to get it back in, just make enough space, to push the connection strip in.
3. Move the connection strip as far as possible to the right, the 'fork' of the connection strip will get behind the (at point 2) loosed bolt.
4. Push back the rail to the left, so far the threaded hole of the connecting strip appears in line with the hole in the feed front (fig 2). At this place the included M8x10 torx bolt should be
5. Tighten the (at point 2 loosed) bolt.

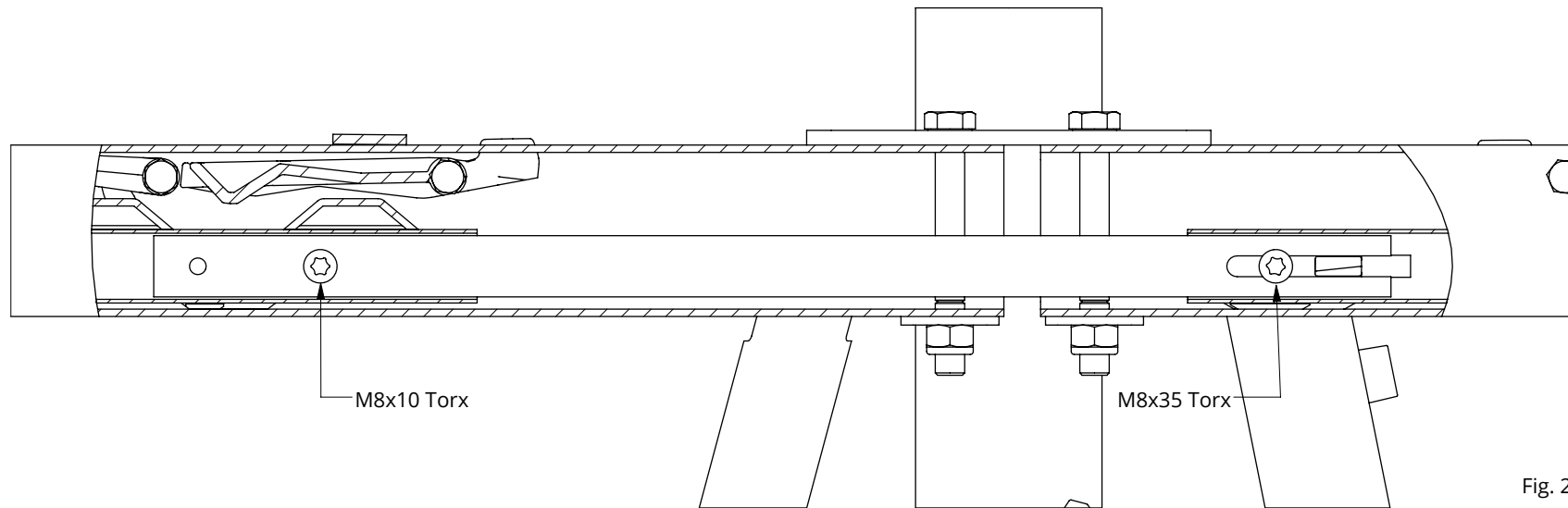


Fig. 2

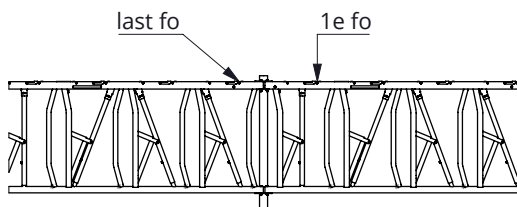
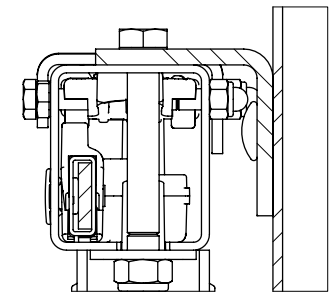


Fig. 1

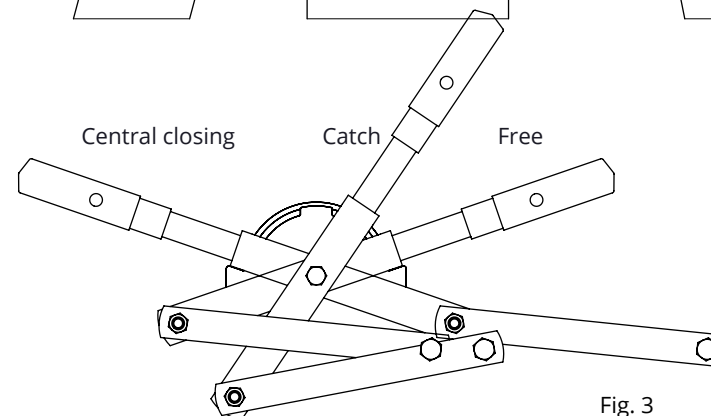


Fig. 3

assembly safety feed front for cows

spinder
DAIRY HOUSING CONCEPTS

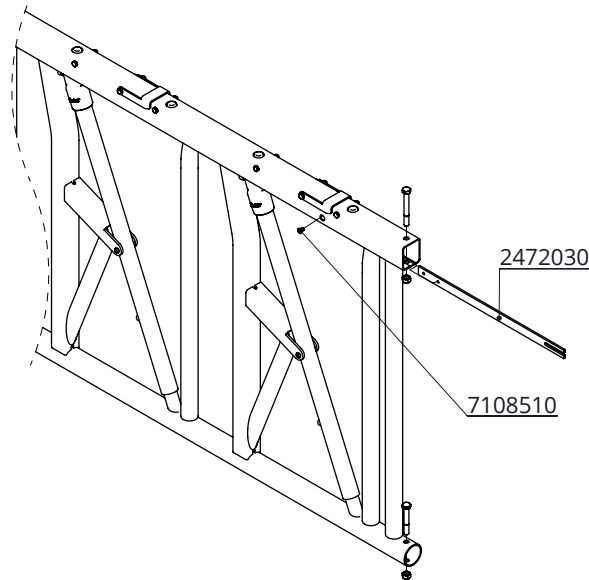
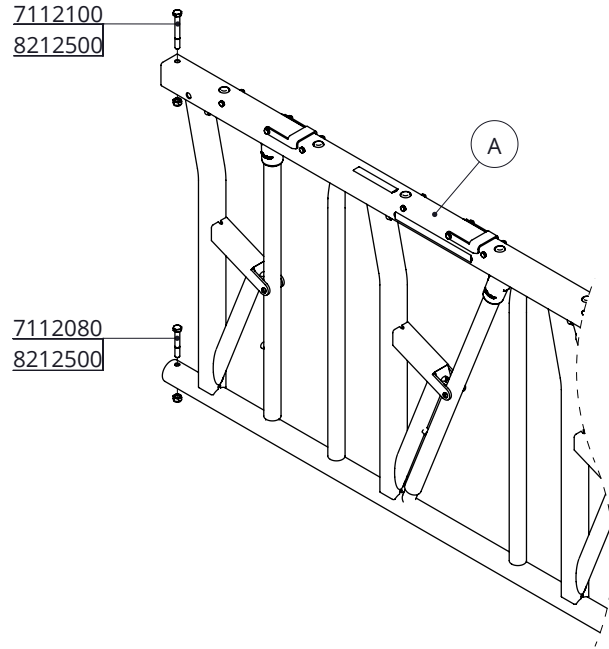
Number:	2472-A
Unit:	mm
Date:	18-4-2016

Tekening blijft ons eigendom en mag niet gekopieerd, aan derden getoond of op andere wijze worden gebruikt. Aan de gegevens op deze tekening kunnen geen rechten worden ontleend.

Item-nr.	Description	A
2473200	safety feed front 65/97x136 2fo	2473205
2473300	safety feed front 65/97x199 3fo	2473305
2473400	safety feed front 65/97x262 4fo	2473405
2473500	safety feed front 65/97x325 5fo	2473505
2473760	safety feed front 60/97x439 7fo	2473765
2473860	safety feed front 60/97x500 8fo	2473865

use threaded strap for middle attachment

Item-nr.	Description	Number
0457251	threaded strap M10/76x105 mm galv.	2
8310100	washer M10 (10x21x2)	4
8210100	hexagon nut M10 galv.	4

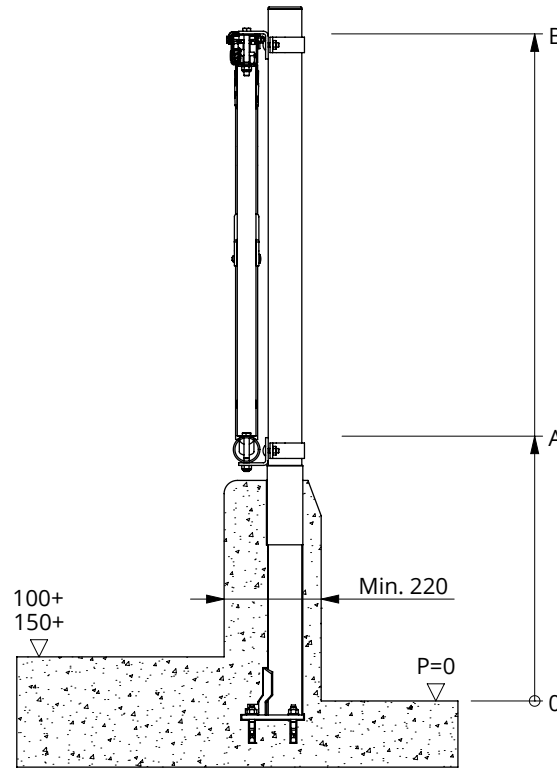
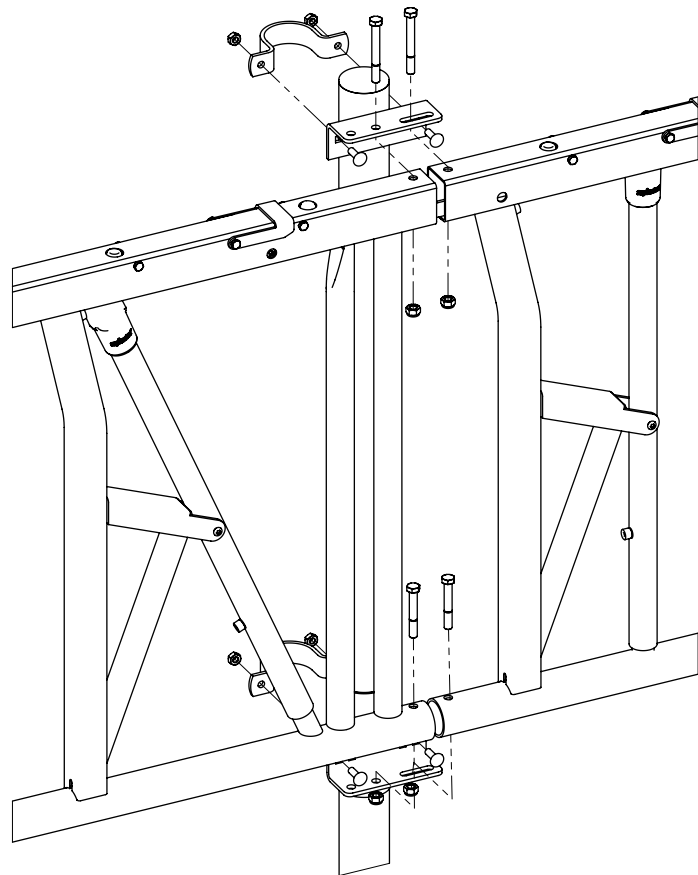


Item-nr.	Description	Number
A	safety feed front	1
7112080	hexagon-head bolt M12x80 galv.	2
7112100	hexagon-head bolt M12x100 galv.	2
8212500	self locking nylon nut M12 galv.	4
2472030	coupling rail safety feed front 0-9 cm	1
7108510	round head screw Torx M8x10 galv.	1

safety feed front



Number:	2473xxx-O
Unit:	mm
Date:	20-4-2018



Breed	Age	Size A	Size B
Heifers HF	18-24 months	540-590	1450-1500
Jersey cows	> 24 months	340-390	1250-1300

assembly safety feed front for 24.73



Number:	2473-A
Unit:	mm
Date:	16-3-2016

Tekening blijft ons eigendom en mag niet gekopieerd, aan derden getoond of op andere wijze worden gebruikt. Aan de gegevens op deze tekening kunnen geen rechten worden ontleend.

Push the connecting strip inside the operation tube before mounting the feed front to the posts. The two threaded holes in the connecting strip should be above the last feed opening (fig. 1).

1. Put the operation handle in the catch position (fig.3) at this moment holes of the operation tube and the C-profile are at the same line.
2. Loose the bolt above the First feed opening (M8x35). Do not turn the bolt to far, it is hard to get it back in, just make enough space, to push the connection strip in.
3. Move the connection strip as far as possible to the right, the 'fork' of the connection strip will get behind the (at point 2) loosed bolt.
4. Push back the rail to the left, so far the threaded hole of the connecting strip appears in line with the hole in the feed front (fig 2). At this place the included M8x10 torx bolt should be
5. Tighten the (at point 2 loosed) bolt.

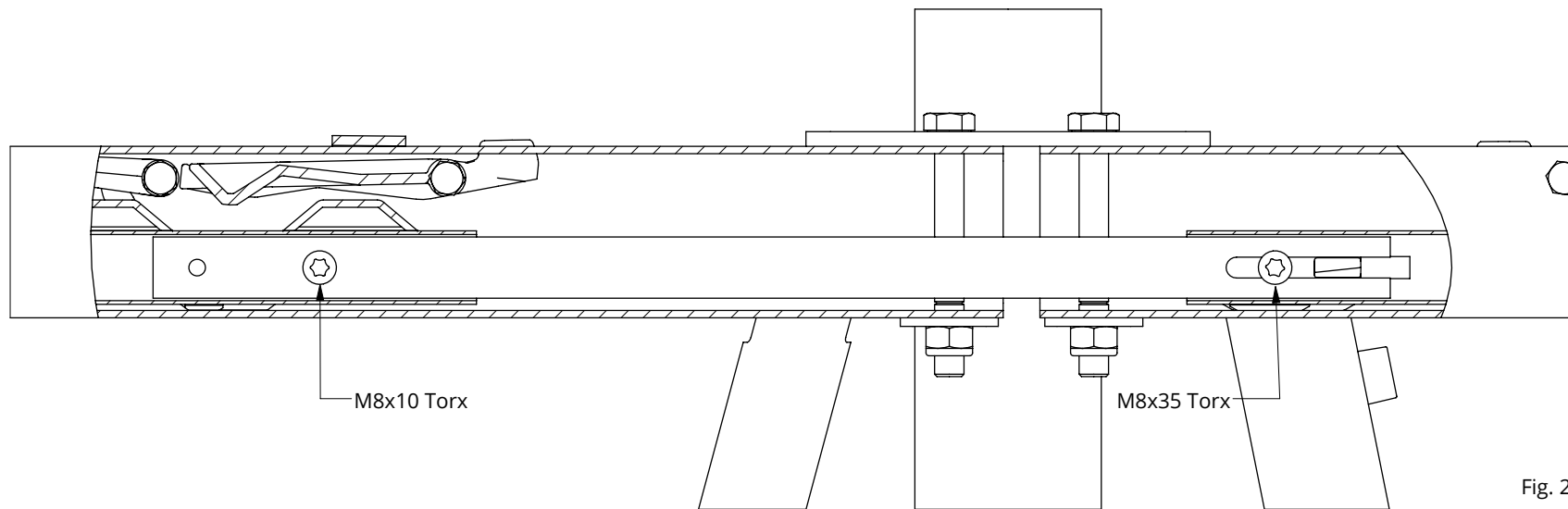


Fig. 2

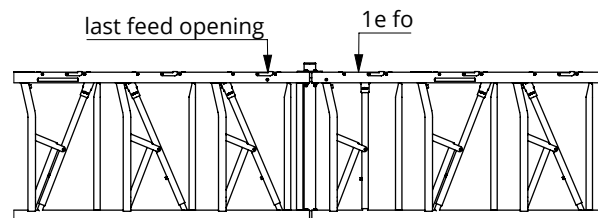
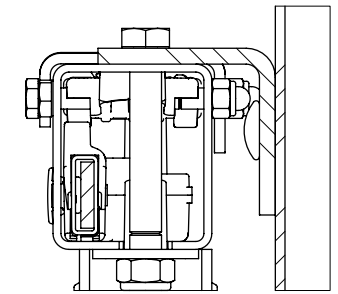


Fig. 1

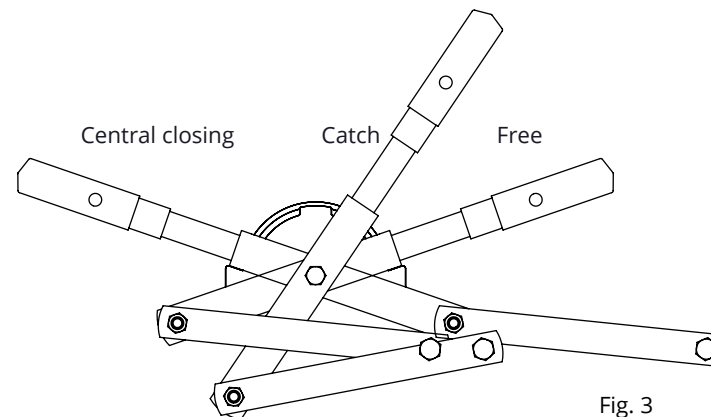


Fig. 3

assembly safety feed front for 24.73

spinder

DAIRY HOUSING CONCEPTS

Number: 2473-A

Unit: mm

Date: 16-3-2016

Tekening blijft ons eigendom en mag niet gekopieerd, aan derden getoond of op andere wijze worden gebruikt. Aan de gegevens op deze tekening kunnen geen rechten worden ontleend.