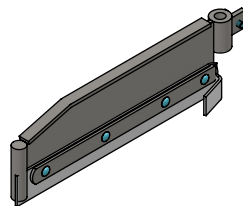
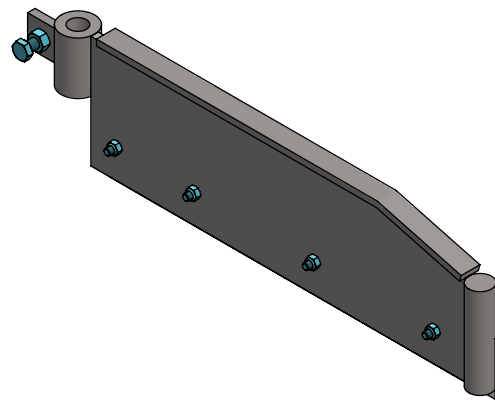
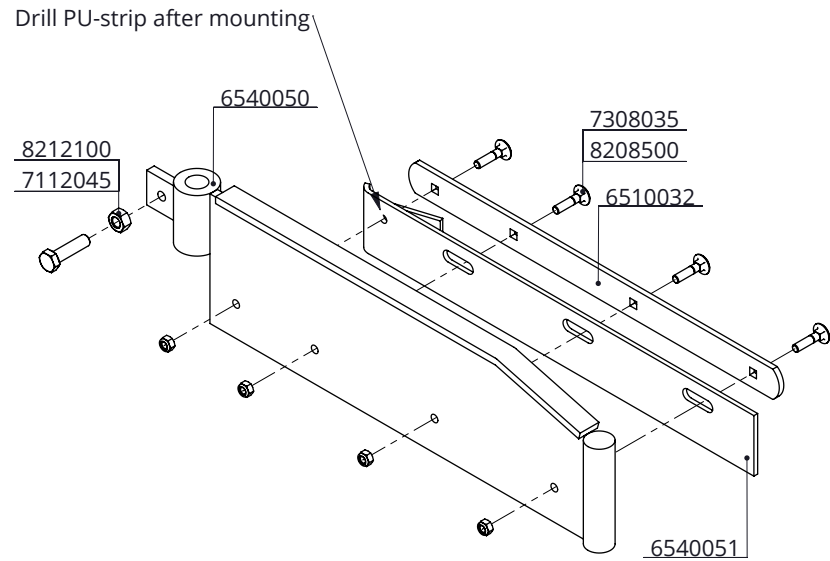
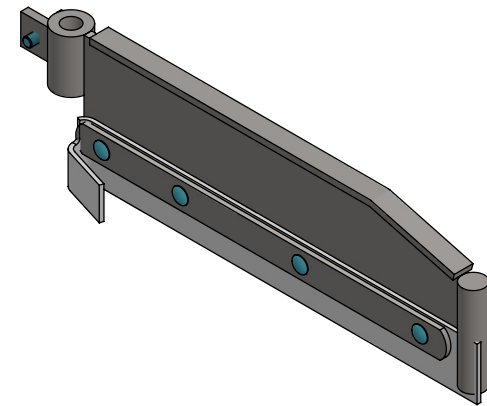
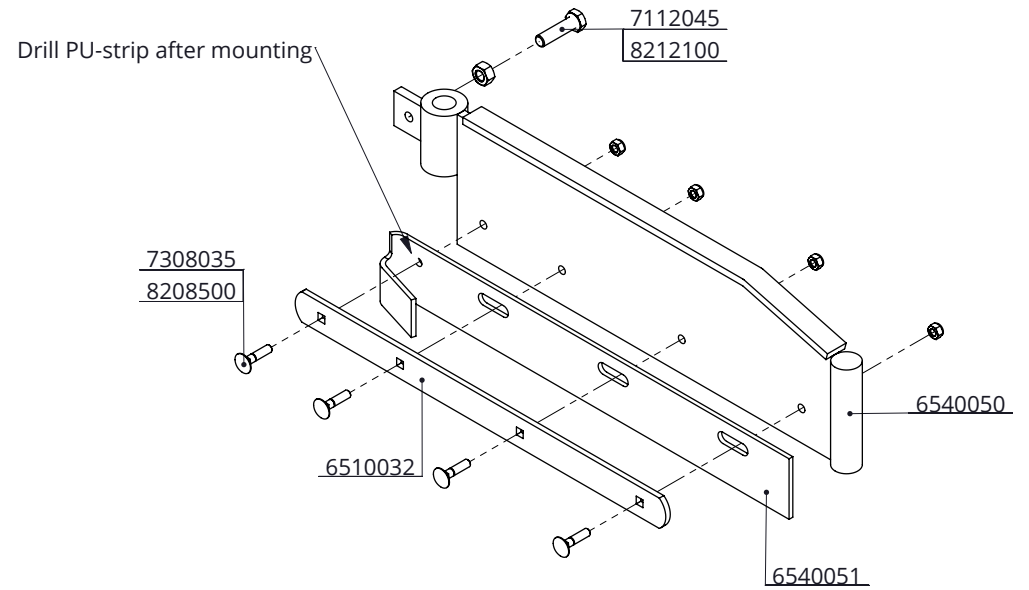


UK Left



Item-nr.	Description	Number
6510032	mounting strip rubber or PU, L=49,5cm	1
6540050	side flap with holes, L=53cm	1
6540051	PU-strip for side flap, L=53cm	1
7112045	hexagon-head bolt M12x45 galv.	1
7308035	coach bolt M8x35 galv.	4
8208500	self locking nylon nut M8 galv.	4
8212100	hexagon nut M12 galv.	1

Right



side flap, L=53cm with PU-strip, R/L

spinder

DAIRY HOUSING CONCEPTS

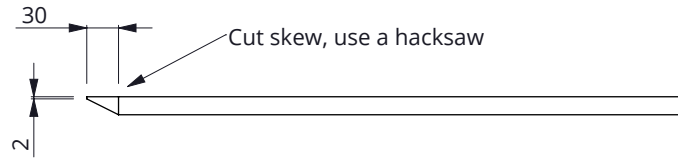
Number: 6540055-O

Unit: mm

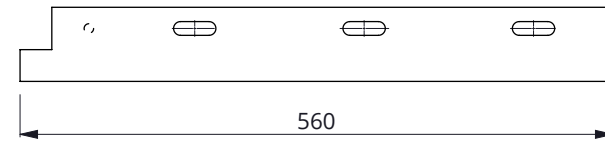
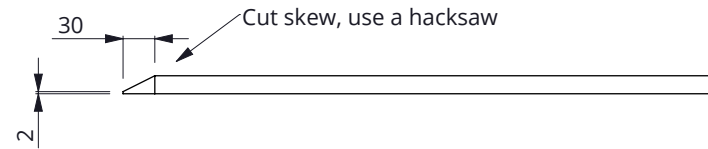
Date: 6-2-2020

Drawing remains our property and may not be reproduced, shown or entrusted to third party or used otherwise. No rights can be derived from this drawing.

Left mounted



Right mounted



rubber strip for side flap, L=53cm

spinder
DAIRY HOUSING CONCEPTS

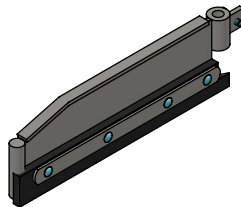
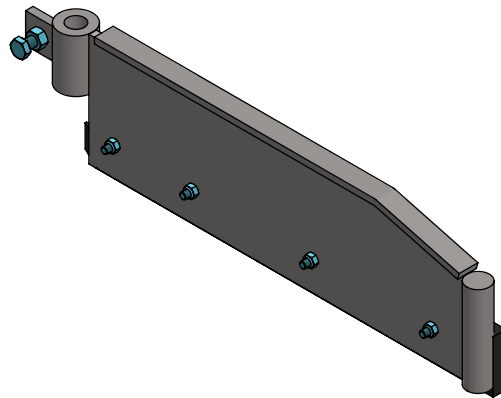
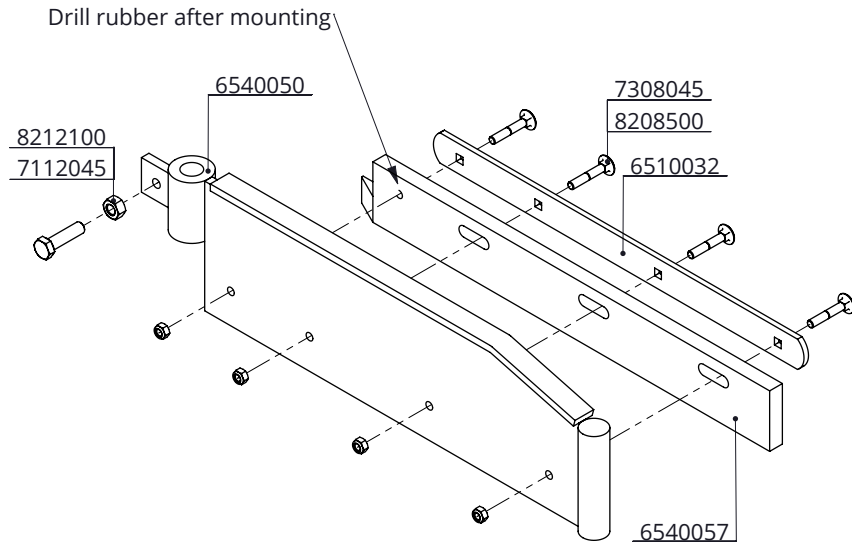
Number: 6540057-O

Unit: mm

Date: 6-2-2020

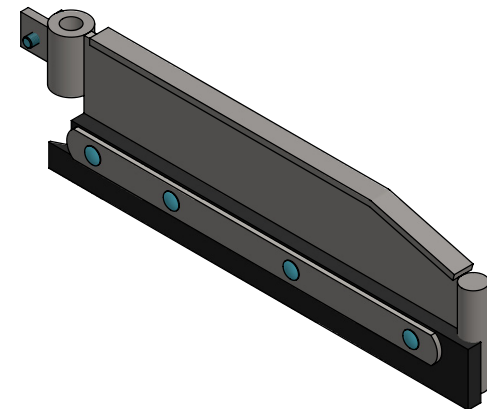
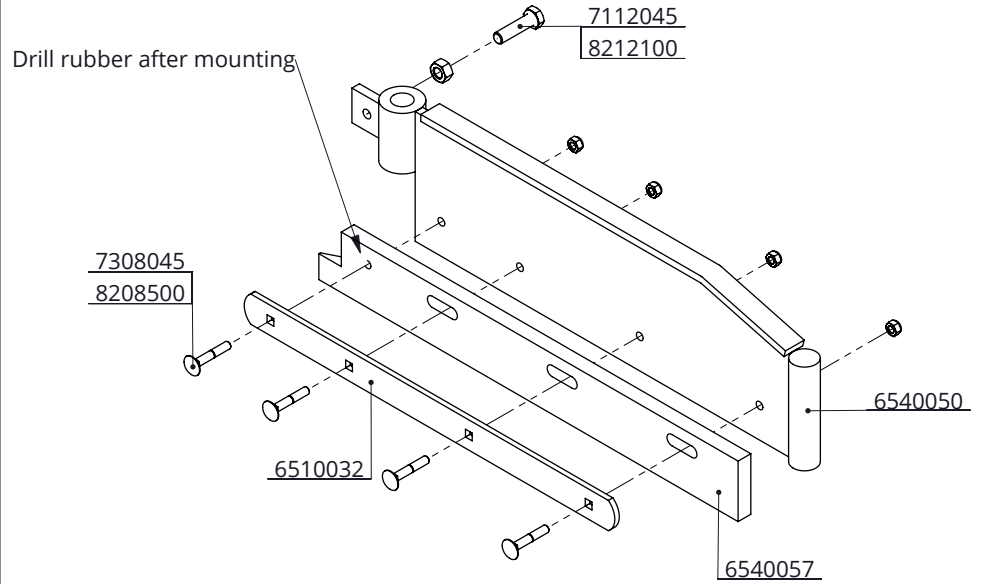
Drawing remains our property and may not be reproduced, shown or entrusted to third party or used otherwise.
No rights can be derived from this drawing.

UK Left



Item-nr.	Description	Number
6510032	mounting strip rubber or PU, L=49,5cm	1
6540050	side flap with holes, L=53cm	1
6540057	rubber strip for side flap, L=53cm	1
7112045	hexagon-head bolt M12x45 galv., DIN933	1
7308045	coach bolt M8x48 galv.	4
8208500	self locking nylon nut M8 galv.	4
8212100	hexagon nut M12 galv.	1

Right



side flap, L=53cm with rubber strip, R/L

spinder

DAIRY HOUSING CONCEPTS

Number: 6540058-O

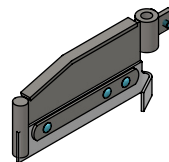
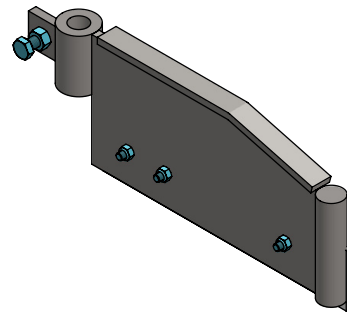
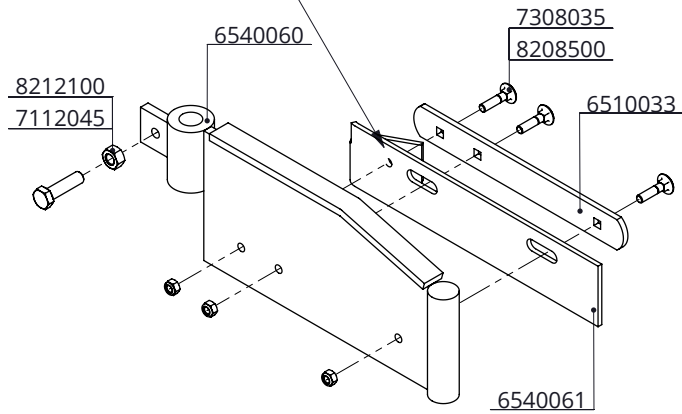
Unit: mm

Date: 6-2-2020

Drawing remains our property and may not be reproduced, shown or entrusted to third party or used otherwise. No rights can be derived from this drawing.

UK Left

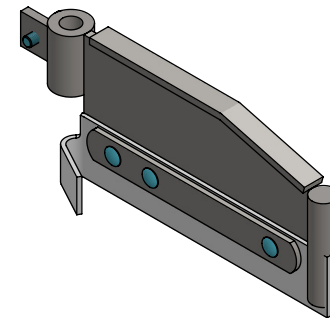
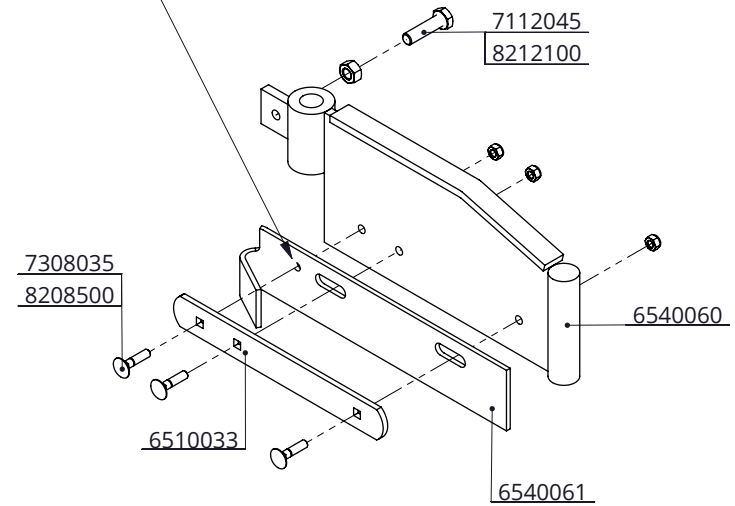
Drill PU-strip after mounting



Item-nr.	Description	Number
6510033	mounting strip for rubber or PU, L=28cm	1
6540060	side flap with holes, L=33cm	1
6540061	PU-strip for side flap, L=33cm	1
7112045	hexagon-head bolt M12x45 galv., DIN933	1
7308035	coach bolt M8x35 galv.	3
8208500	self locking nylon nut M8 galv.	3
8212100	hexagon nut M12 galv.	1

Right

Drill PU-strip after mounting



side flap, L=33cm with PU-strip, R/L

spinder

DAIRY HOUSING CONCEPTS

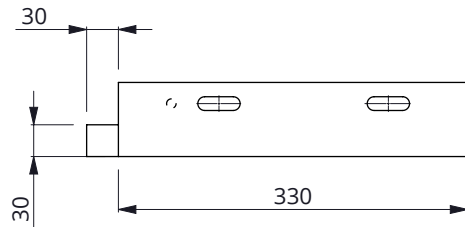
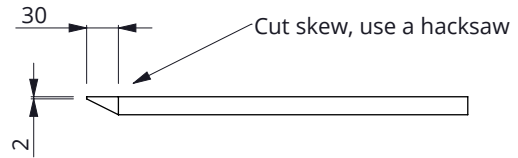
Number: 6540065-O

Unit: mm

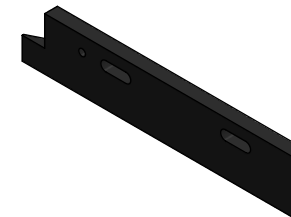
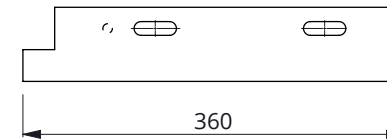
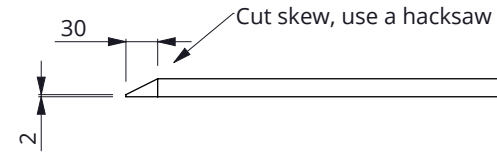
Date: 6-2-2020

Drawing remains our property and may not be reproduced, shown or entrusted to third party or used otherwise. No rights can be derived from this drawing.

Left mounted



Right mounted



rubber strip for side flap, L=33cm

spinder
DAIRY HOUSING CONCEPTS

Number: 6540067-O

Unit: mm

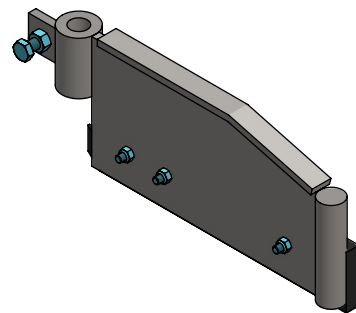
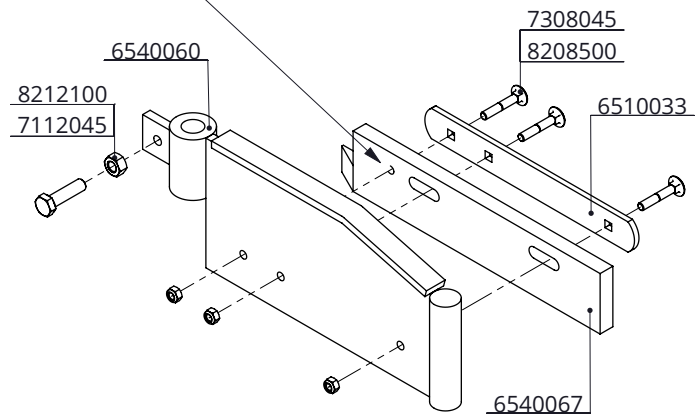
Date: 6-2-2020

Drawing remains our property and may not be reproduced, shown or entrusted to third party or used otherwise.
No rights can be derived from this drawing.

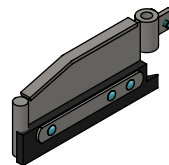
UK

Left

Drill rubber after mounting

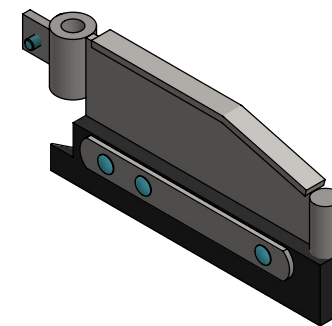
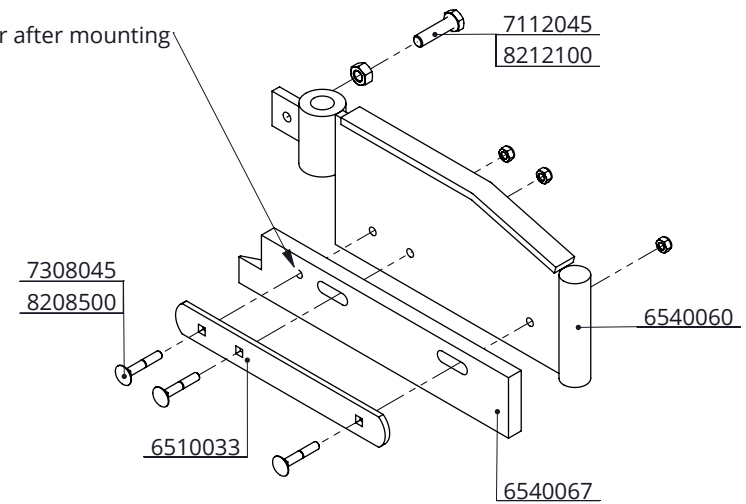


Item-nr.	Description	Number
6510033	mounting strip for rubber or PU, L=28cm	1
6540057	rubber strip for side flap, L=33cm	1
6540060	side flap with holes, L=33cm	1
7112045	hexagon-head bolt M12x45 galv., DIN933	1
7308045	coach bolt M8x48 galv.	3
8208500	self locking nylon nut M8 galv.	3
8212100	hexagon nut M12 galv.	1



Right

Drill rubber after mounting



side flap, L=53cm with rubber strip, R/L

spinder

DAIRY HOUSING CONCEPTS

Number: 6540068-O

Unit: mm

Date: 6-2-2020

Drawing remains our property and may not be reproduced, shown or entrusted to third party or used otherwise.
No rights can be derived from this drawing.